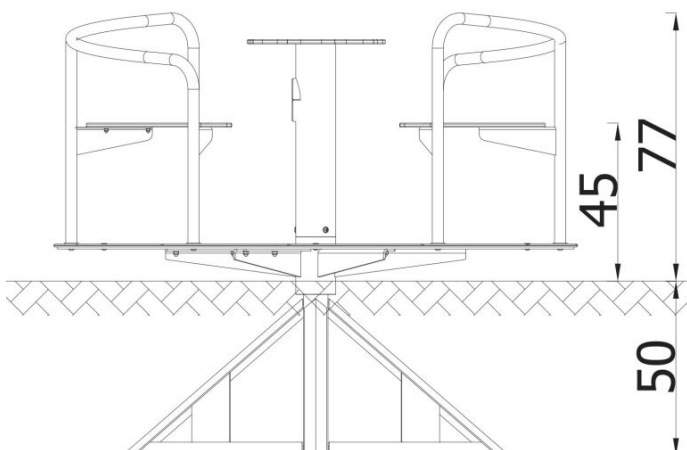
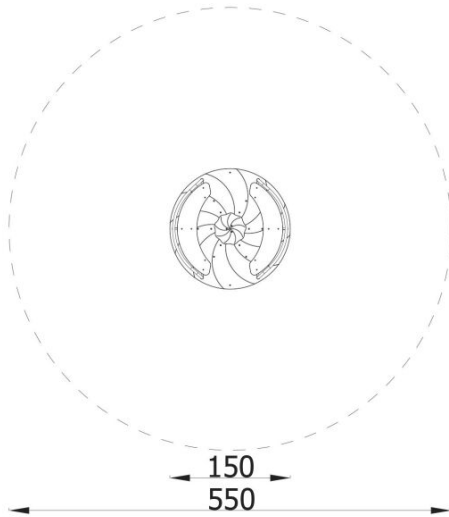
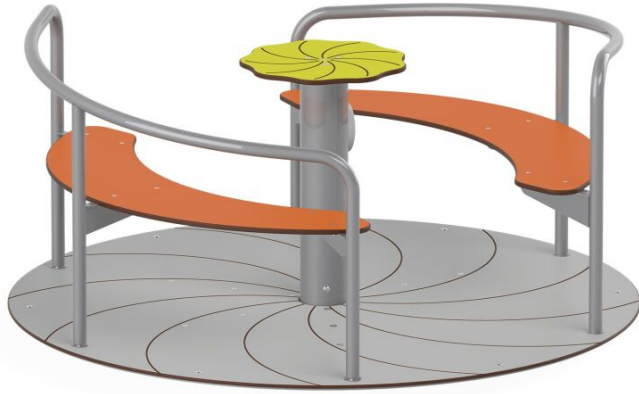


### BESCHREIBUNG

The Novo 150 Carousel is a sturdy and safe carousel with a modern design. Featuring comfortable benches and a central turning wheel, it provides children with comfortable and exciting play. The construction, made from durable materials, ensures the longevity of the device, while the friendly colors bring joy to any playground. Construction: made from S235 steel; Anchoring: foundation below ground level; Panels and tabletops: high-pressure laminate (HPL) (8-12 mm); Steel components: protected against corrosion by galvanizing and powder coating; All fittings and connectors: made from stainless steel.



### INFORMATIONEN

Anzahl der Nutzer	5
Altersspanne	
Geräteabmessungen (m)	1,5 x 0,77 x 1,5
Entsprechend der Norm	
Ersatzteile	

### FALLSCHUTZ

Bereich	Max. freie Fallhöhe (m)	Fläche [m <sup>2</sup> ]	Umfang des Sicherheitsfreiraum (m)
A			
B			
C			