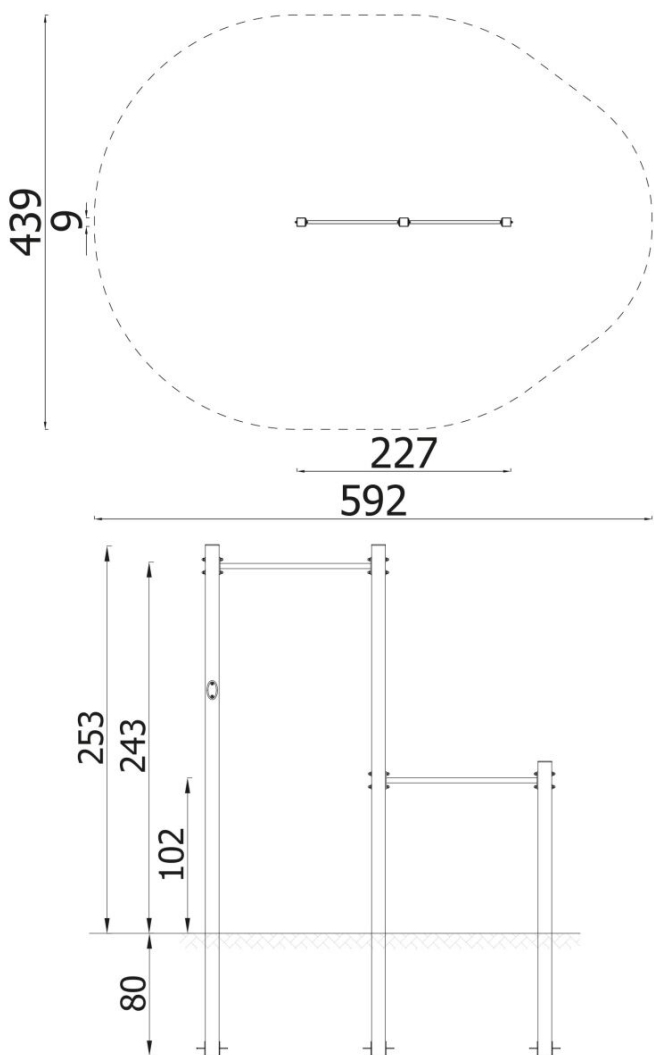


BESCHREIBUNG

Street workout equipment for doing kalistenic exercises, that is based on training with the use of own body weight. These extremely spectacular exercises develop all the muscles, improve coordination, fitness and strength. The device is extremely solid, made of the highest quality materials resistant to weather conditions.



INFORMATIONEN

Anzahl der Nutzer	2
Altersspanne	14+
Geräteabmessungen (m)	2.27 x 2.53 x 0.09
Entsprechend der Norm	EN 16630
Ersatzteile	

FALLSCHUTZ

Bereich	Max. freie Fallhöhe (m)	Fläche [m ²]	Umfang des Sicherheitsfreiraum (m)
A			17
B			
C	2.43	21.5	