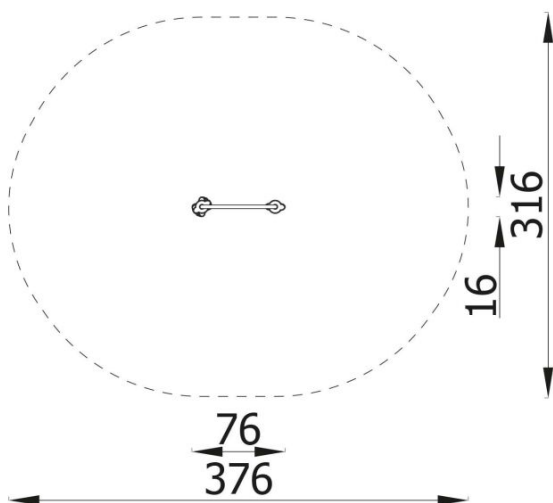
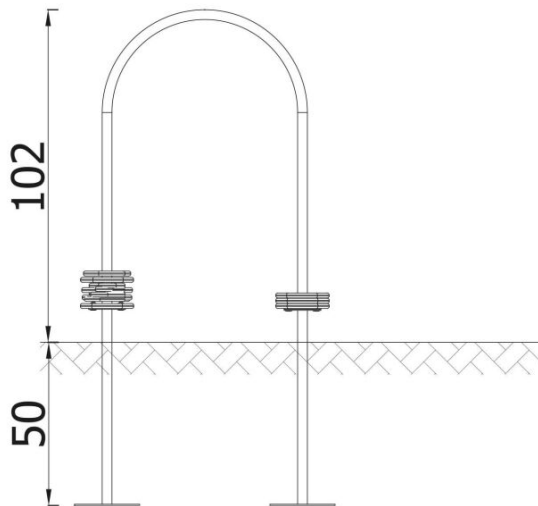


BESCHREIBUNG

Device supporting the development of small motor skills, designed for children aged 0-3 years. With its fanciful shape and aesthetic design, it encourages perseverance in play, raising the level of manual efficiency, eye-hand coordination and the ability to focus attention.



INFORMATIONEN

Anzahl der Nutzer	2
Altersspanne	0 - 3
Geräteabmessungen (m)	0.76 x 1.02 x 0.16
Entsprechend der Norm	EN-1176-1:2017-12
Ersatzteile	

FALLSCHUTZ

Bereich	Max. freie Fallhöhe (m)	Fläche [m ²]	Umfang des Sicherheitsfreiraum (m)
A		10	11.5
B			
C			