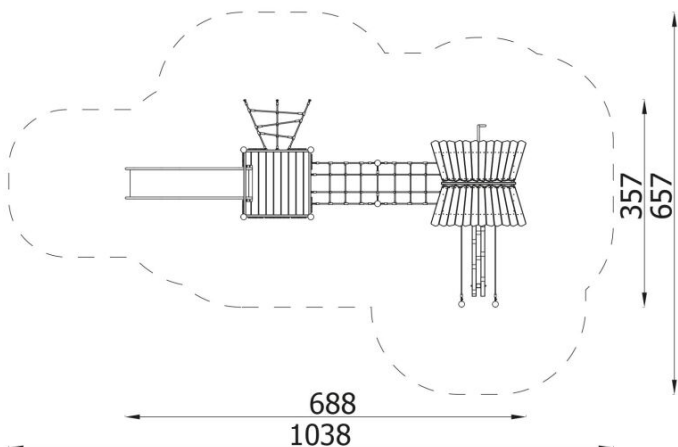
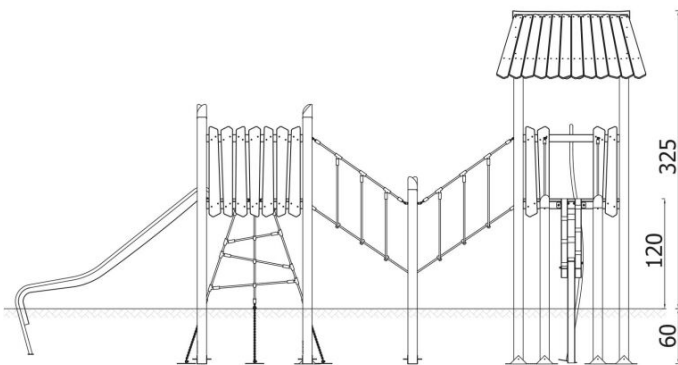


### BESCHREIBUNG

All wooden elements made of extremely durable acacia wood - robinia, secured with a colorless protective agent. The structural elements of the collection - round poles are made of high quality stainless steel mounted directly in the ground. Each pole is finished with unique cover made of robinia. Weatherproof polypropylene ropes with a steel core, with a natural colour suiting the whole collection. Stainless steel fittings and slides. New exclusive series of devices created for very demanding users.



### INFORMATIONEN

Anzahl der Nutzer	12
Altersspanne	3 - 14
Geräteabmessungen (m)	6.88 x 3.25 x 3.57
Entsprechend der Norm	EN-1176-1:2017-12
Ersatzteile	

### FALLSCHUTZ

Bereich	Max. freie Fallhöhe (m)	Fläche [m <sup>2</sup> ]	Umfang des Sicherheitsfreiraum (m)
A	1.2	46.5	29
B			
C			