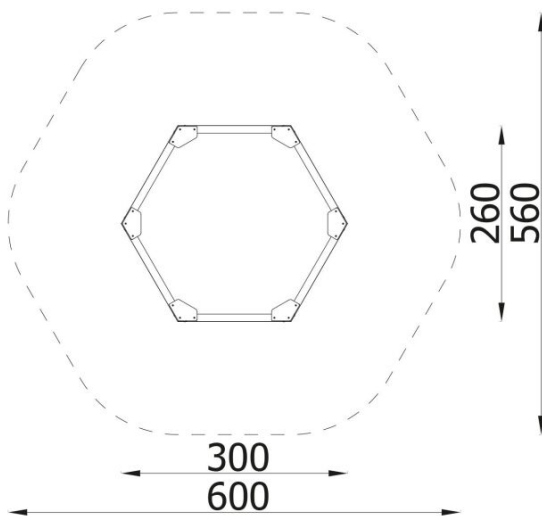


Hexagonal Sandbox with Seats

3713EP

BESCHREIBUNG

Sandboxes are an indispensable element of every playground. Playing with the sand helps to develop motor skills and coordination, it also creates the opportunity to make new friends. The hours of building fortifications or castle towers it's time spent not only creatively but also interesting.



INFORMATIONEN

Anzahl der Nutzer	10
Altersspanne	0 - 14
Geräteabmessungen (m)	3 x 0.3 x 2.6
Entsprechend der Norm	EN 1176
Ersatzteile	

FALLSCHUTZ

Bereich	Max. freie Fallhöhe (m)	Fläche [m ²]	Umfang des Sicherheitsfreiraum (m)
A	0.3	26.5	18.5
B			
C			