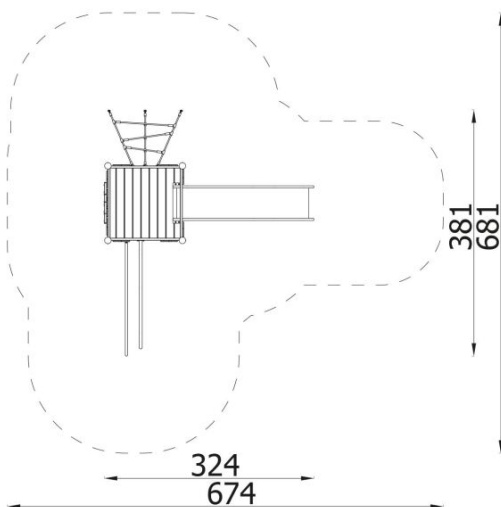
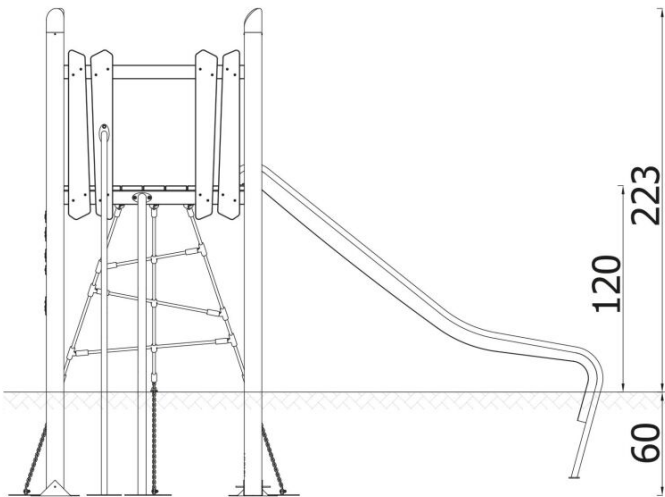


### BESCHREIBUNG

All wooden elements made of extremely durable acacia wood - robinia, secured with a colorless protective agent. The structural elements of the collection - round poles are made of high quality stainless steel mounted directly in the ground. Each pole is finished with unique cover made of robinia. Weatherproof polypropylene ropes with a steel core, with a natural colour suiting the whole collection. Stainless steel fittings and slides. New exclusive series of devices created for very demanding users.



### INFORMATIONEN

Anzahl der Nutzer	7
Altersspanne	3 - 14
Geräteabmessungen (m)	3.81 x 2.23 x 3.24
Entsprechend der Norm	EN-1176-1:2017-12
Ersatzteile	

### FALLSCHUTZ

Bereich	Max. freie Fallhöhe (m)	Fläche [m <sup>2</sup> ]	Umfang des Sicherheitsbereichs (m)
A	1.2	30.5	23
B			
C			