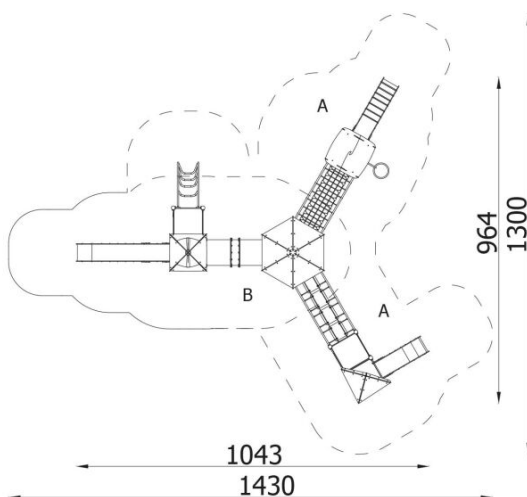
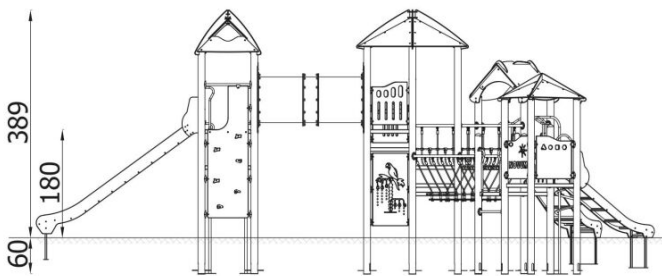


BESCHREIBUNG

1 tall castle tower, 1 tower with envelope roof, 1 tower with gable roof, 1 tower with triangular roof, 2 square platforms, 1 long slide, 1 deep slide, 1 slide 104, 1 tunnel bridge, 1 ladder bridge, 1 tubular bridge, 1 spiral ladder, 1 arc ladder, 9 safety HDPE boards with decorative cuts, 2 walls with decorative cuts, 5 triangular landings, 3 square landings, 4 entrance, 6 climbing bars, 2 metal bars over the slide.



INFORMATIONEN

Anzahl der Nutzer	32
Altersspanne	3 - 14
Geräteabmessungen (m)	9.64 x 3.89 x 10.43
Entsprechend der Norm	EN-1176-1:2017-12
Ersatzteile	

FALLSCHUTZ

Bereich	Max. freie Fallhöhe (m)	Fläche [m ²]	Umfang des Sicherheitsfreiraum (m)
A	1.5	53	50.5
B	1.8	36	
C			