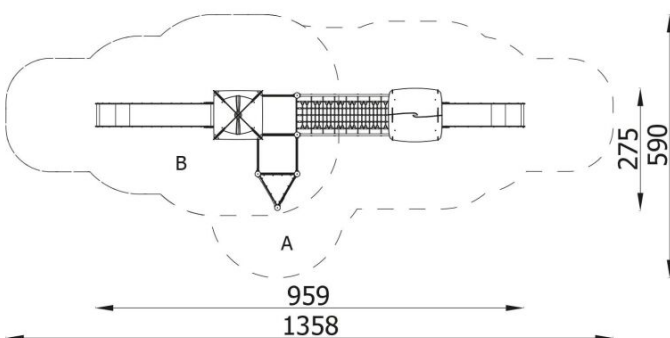
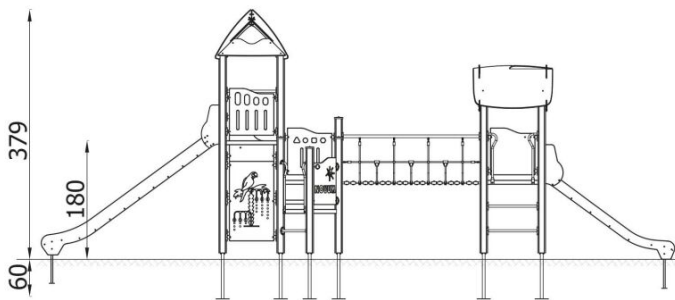


### BESCHREIBUNG

1 tower with roof, 1 tower with gable roof, 1 triangular platform, 2 square platforms, 1 tubular bridge, 1 long slide, 1 deep slide, 2 walls with decorative cuts, 7 safety HDPE boards with decorative cuts, 2 square landings, 3 entrance, 5 climbing bars, 2 metal bars over the slide, 13 metal fittings to be installed in the ground



### INFORMATIONEN

|                       |                    |
|-----------------------|--------------------|
| Anzahl der Nutzer     | 19                 |
| Altersspanne          | 3 - 14             |
| Geräteabmessungen (m) | 2.75 x 3.79 x 9.59 |
| Entsprechend der Norm | EN-1176-1:2017-12  |
| Ersatzteile           |                    |

### FALLSCHUTZ

| Bereich | Max. freie Fallhöhe (m) | Fläche [m <sup>2</sup> ] | Umfang des Sicherheitsfreiraum (m) |
|---------|-------------------------|--------------------------|------------------------------------|
| A       | 1.5                     | 25                       | 33                                 |
| B       | 1.8                     | 26.5                     |                                    |
| C       |                         |                          |                                    |